

Interchangeable Capsules

VM-44 System

Interchangeable capsules for the VM-44 system. Designed for recording in any acoustic environment with total response and maximum clarity.



VM-44 system interchangeable capsules

Cardioid Capsule

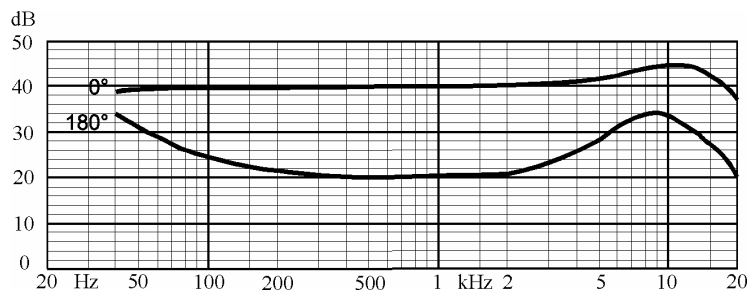
Art. No 1144

Frequency response (see graph)
 Max. SPL (1% THD at 1 kHz)
 Sensitivity at 1kHz
 A-weighted noise level

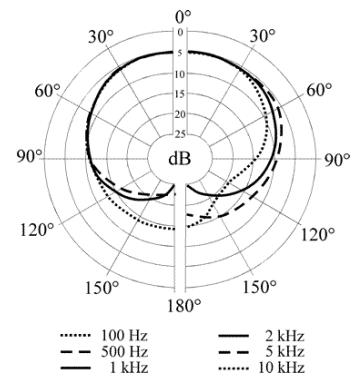
20 - 20 000 Hz
 128/140 dB
 15 mV/Pa \pm 1 dB
 21 dB



Frequency response at 1m distance



Polar diagram



Omni Capsule

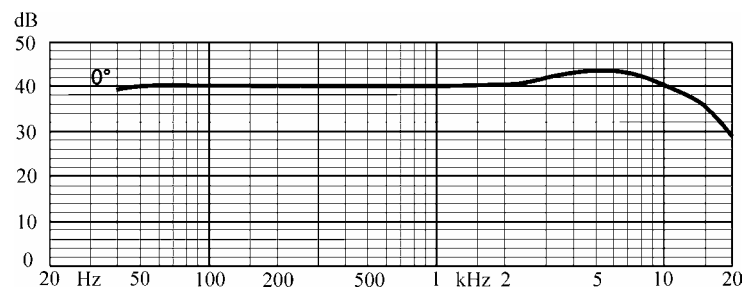
Art. No 1145

Frequency response (see graph)
 Max. SPL (1% THD at 1 kHz)
 Sensitivity at 1kHz
 A-weighted noise level

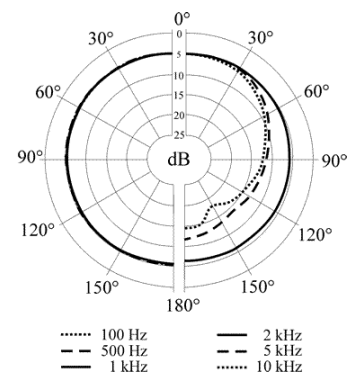
20 - 20 000 Hz
 124/136 dB
 25 mV/Pa \pm 1 dB
 17 dB



Frequency response at 1m distance



Polar diagram



*The frequency response may vary within $\pm 2,5$ dB of the published graph.
 Before delivery, each microphone is measured and accompanied with its own graph.*

Milab Microphones AB

Mailing address
 P. O. Box 1342
 S-251 13 HELSINGBORG
 SWEDEN

Office address
 Norra Strandgatan 4

Phone
 +46 42 381620

Fax
 +46 42 136350

E-mail
milab@milabmic.com
 Internet
www.milabmic.com



VM-44 system interchangeable capsules

Supercardioid Capsule

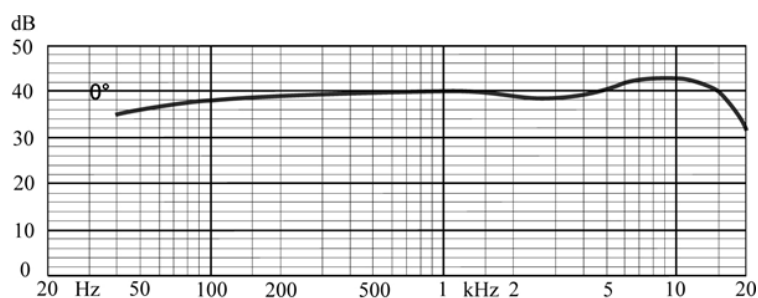
Art. No 1141

Frequency response (see graph)
Max. SPL (1% THD at 1 kHz)
Sensitivity at 1 kHz
A-weighted noise level

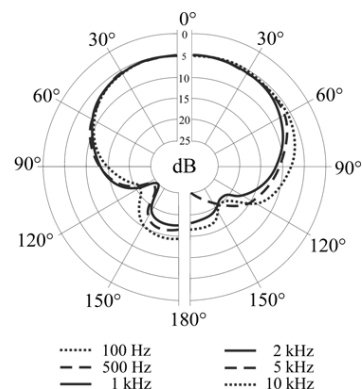
20 - 20 000 Hz
128/140 dB
15 mV/Pa \pm 1 dB
21 dB



Frequency response at 1m



Polar diagram



*The frequency response may vary within $\pm 2,5$ dB of the published graph.
Before delivery, each microphone is measured and accompanied with its own graph.*

Milab Microphones AB

Mailing address
P. O. Box 1342
S-251 13 HELSINGBORG
SWEDEN

Office address
Norra Strandgatan 4

Phone
+46 42 381620

Fax
+46 42 136350

E-mail
milab@milabmic.com
Internet
www.milabmic.com