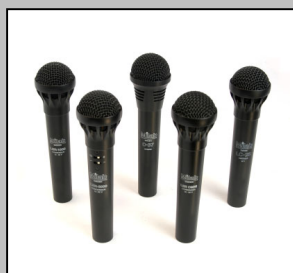


Hand held

Vocal condenser made for a rugged life on the road. Outstanding studio quality sound on stage.



*Handmade in Sweden
with lifetime warranty*

Vocal condenser made for a rugged life on the road. Outstanding studio quality sound on stage.

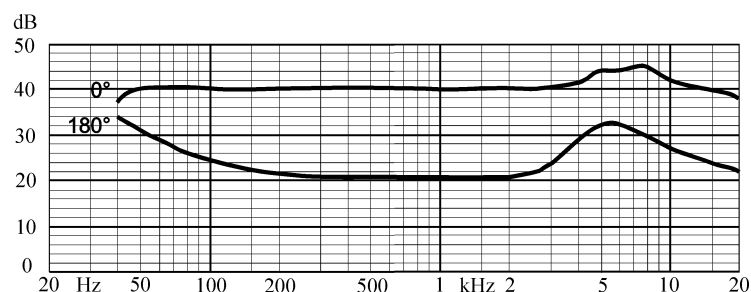
- **Cardioid**
- **Transformerless**
- **Shock absorbing rubber fitted capsule**
- **Insensitive to hand noise**
- **Built-in pop protection**
- **12 - 52 V phantom**

Frequency response (see graph)	40 - 20 000 Hz
Polar pattern	Cardioid
Max. SPL (1 % THD at 1 kHz)	132 dB
Sensitivity at 1kHz	7 mV / Pa \pm 1 dB
A-weighted noise level (IEC 179-A)	21 dB
Power supply	12 - 52 V phantom
Current consumption	4 mA
Output impedance	< 200 Ω
Minimum load impedance	1 k Ω
Connection	3-pin XLR pin 1: earth (Shield) pin 2: plus (Hot) pin 3: minus (Cold)
Net weight	295 g
Length	185 mm
Diameter	24 / 47 mm

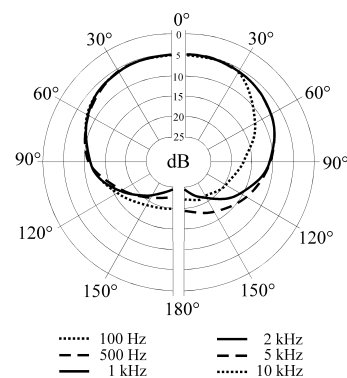


Frequency response (at 1m distance)

The frequency response may vary within $\pm 2,5$ dB of the published graph.
Before delivery, each microphone is measured and accompanied with it's own graph.



Polar diagram



Milab Microphones AB

Mailing address
P. O. Box 1342
S-251 13 HELSINGBORG
SWEDEN

Office address
Norra Strandgatan 4

Phone
+46 42 381620

Fax
+46 42 136350

E-mail
milab@milabmic.com
Internet
www.milabmic.com