

Digital Microphone System



One of the most sophisticated digital microphone systems ever made. Based on Milabs well-known rectangular capsule.



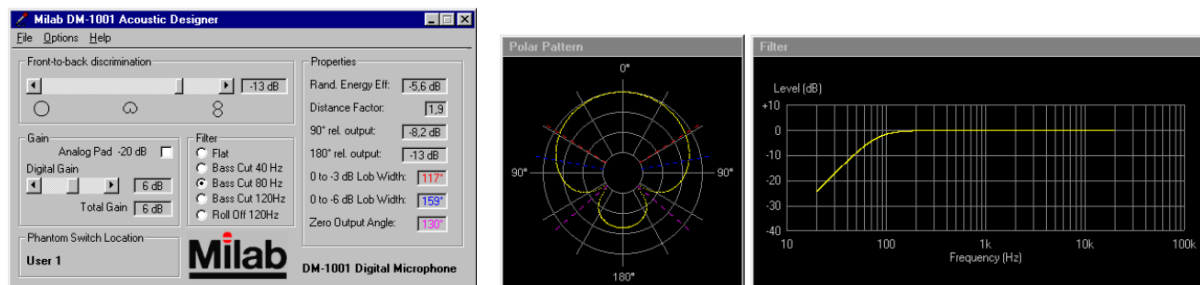
*Handmade in Sweden
with lifetime warranty*

DM-1001 Digital Microphone

Art. No 1001

One of the most sophisticated digital microphone systems ever made. Based on Milabs well-known rectangular capsule.

- AES/EBU Digital Output
- Rectangular dual capsule
- Computer controlled filters and polar pattern
- 24-bit/48 kHz or 24-bit/44.1 kHz Sigma-Delta ADC



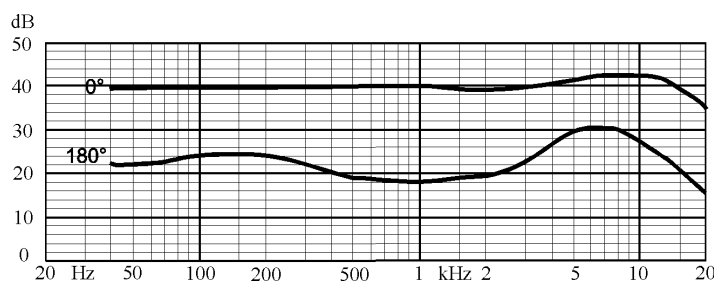
Screenshots of Milab Acoustic Designer for Computer Control of the DM-1001

Frequency response	20-20 000 Hz (See Graph)	
Polar patterns (switchable)	Standard: Cardioid, Wide Cardioid, Omni, Super Cardioid, Figure - 8 User-definable: All between Cardioid – Omni – Figure-8. Controlled by computer program, with in-house-developed PC-software. Settings can be stored in the control unit.	
Filters (DSP-controlled Ver. 1.00)	40 Hz Bass Cut	12 dB/oct
	80 Hz Bass Cut	12 dB/oct
	120 Hz Bass Cut	12 dB/oct
	120 Hz Roll Off	6 dB/oct
Pre-attenuation (switchable)	-20 dB	
Digital sensitive. Max SPL for full-scale at 1 kHz with 20 dB pad	124 dB 144 dB	
A-weighted noise level (acc. to IEC 179-A)	≤ 18 dB	
Digital Output	AES/EBU	
Microphone	Control unit	
Net weight	730 g	Net weight 1750 g
Length	237 mm	Size 48 mm x 111mm x 171 mm
Diameter	40 / 48 mm	

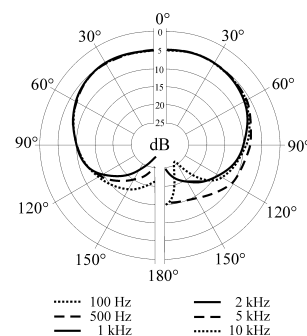


Frequency response (cardioid at 1m distance)

The frequency response may vary within ± 2,5 dB of the published graph. Before delivery, each microphone is measured and accompanied with it's own graph for the cardioid position.



Polar diagram



Milab Microphones AB

Mailing address
P. O. Box 1342
S-251 13 HELSINGBORG
SWEDEN

Office address
Norra Strandgatan 4

Phone
+46 42 381620

Fax
+46 42 136350

E-mail
milab@milabmic.com
Internet
www.milabmic.com